



Growatt VO60-PV/VO60

60A Voltage Optimizer



Growatt Voltage optimizer is designed for use in domestic applications. It is installed between the electricity meter and main consumer unit. It steps down incoming voltage of PV system or public grid by 18V approximately (@240V, $V_{out}=0.925 \cdot V_{in}$), thus to reduce power consumption of electrical appliances and save electricity charge, meanwhile expand life span of electrical appliances.

Growatt Voltage optimizer has short circuit, overload and overheat protection built in. it can measure the energy generated by PV system (optional).

Features

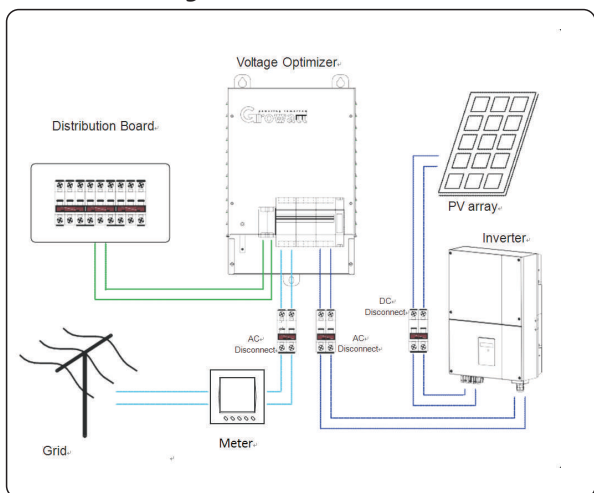
- ▶ 18V input voltage stepped down to save electricity
- ▶ Compact design, easy installation
- ▶ Shield protection, more safe
- ▶ Natural convection cooling, save energy
- ▶ Comprehensive protection: over temperature, overload , PV RCBO and energy meter integrated (Option)
- ▶ 70A overload capability for up to 30 minutes



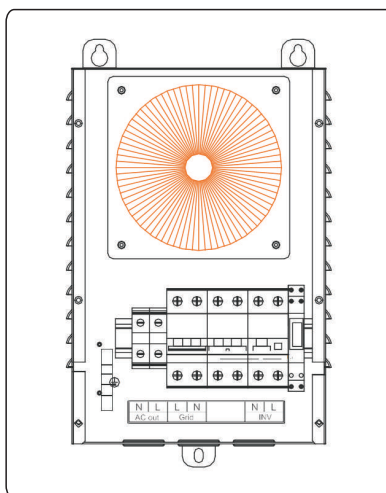
Datasheet	Growatt VO60-PV	Growatt VO60
Nominal input voltage	240VAC single phase	240VAC single phase
Nominal Input frequency	50Hz	50Hz
Input voltage range	232-253 Vac	232-253 Vac
Output voltage range	0.925*Vin(approximately input voltage less 18V)	0.925*Vin(approximately input voltage less 18V)
Max. Output current Protection	60A continues 70A for 30 minutes	60A continues 70A for 30 minutes
Protection	Over current protection Over temperature protection, ground fault current interrupt protection	Over current protection Over temperature protection
Protection rating	IP 20	IP 20
Display	Meter (comply with MID)	/
Dimensions (W/H/D)	230*340*90 mm	230*340*90 mm
Weight	10 Kg	10 Kg
Operating temperature	-5°C ... +40°C	-5°C ... +40°C
Altitude	<2000m	<2000m
Cooling concept	Natural cooling	Natural cooling
Meter Certificate	MID	/

Growatt VO60-PV

Installation Diagram

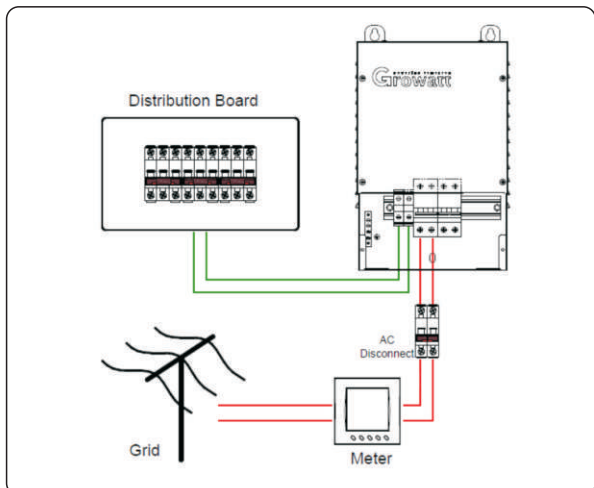


Internal Front View



Growatt VO60

Installation Diagram



Internal Front View

