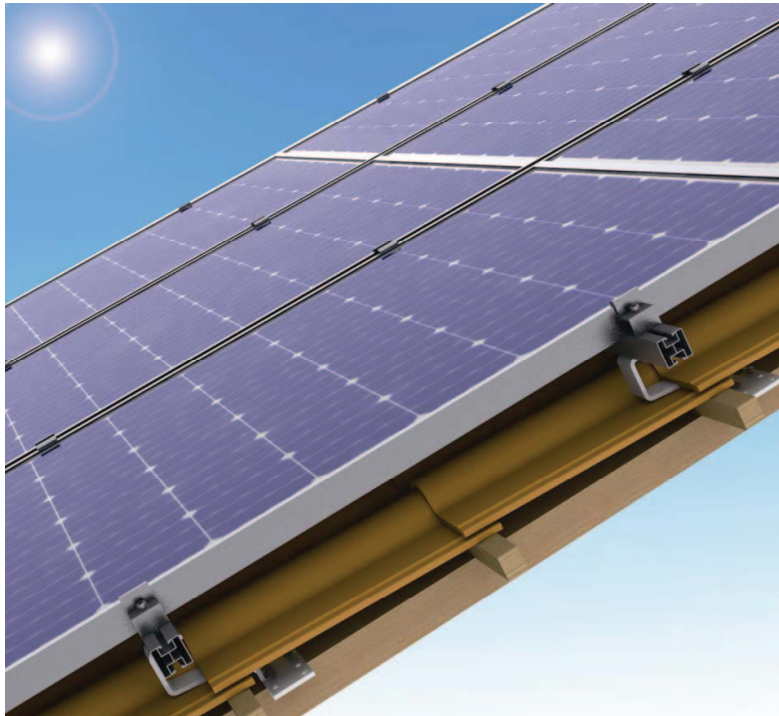


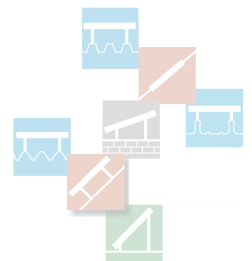
PV Pro Mounting Solution

On Roof Anti-Theft System

Installation Guide



Safety. Reliability. Flexibility



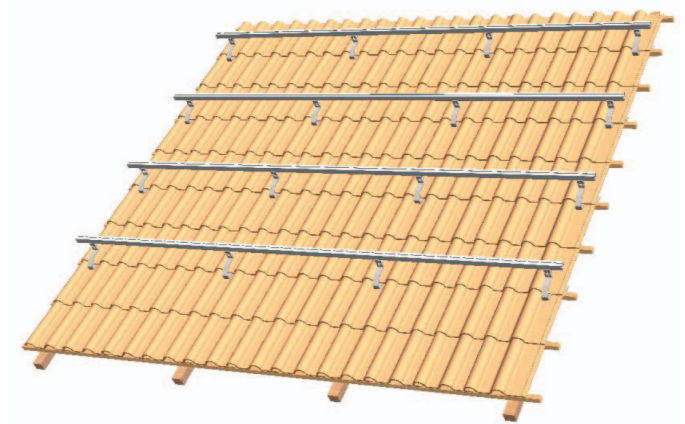
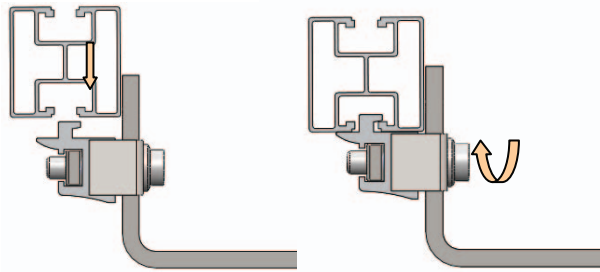
PV Pro Mounting Solution

On Roof Anti-Theft System



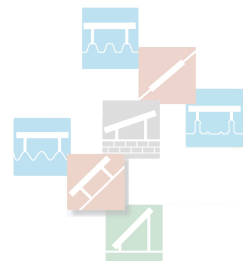
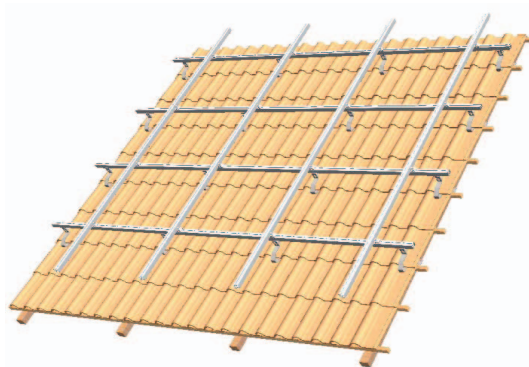
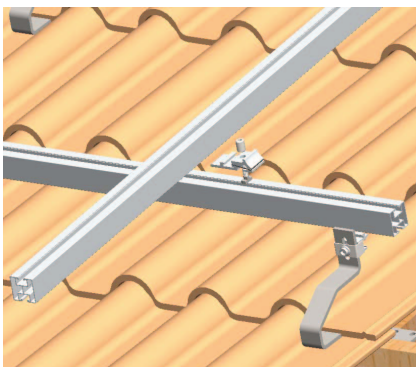
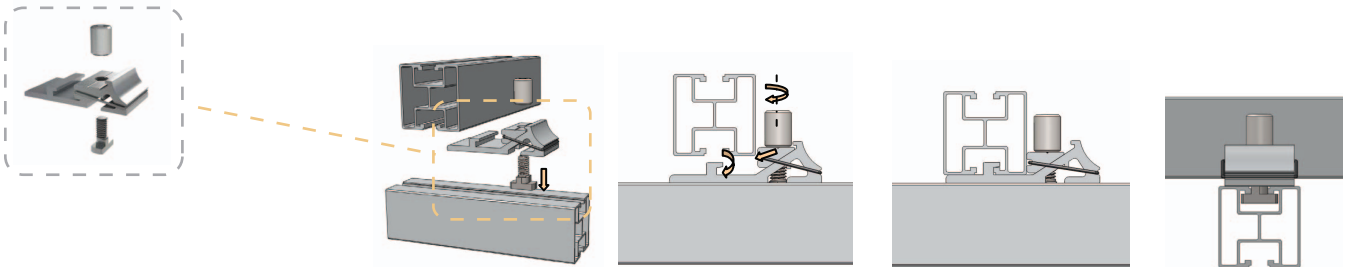
RAIL FITTING

To fit the rail on the pre-assembled roof hook kit, tighten the screw.



CROSS RAIL FITTING

If cross rail installation required, use provided cross rail connector to fit 2 layers of the rail.



Safety. Reliability. Flexibility

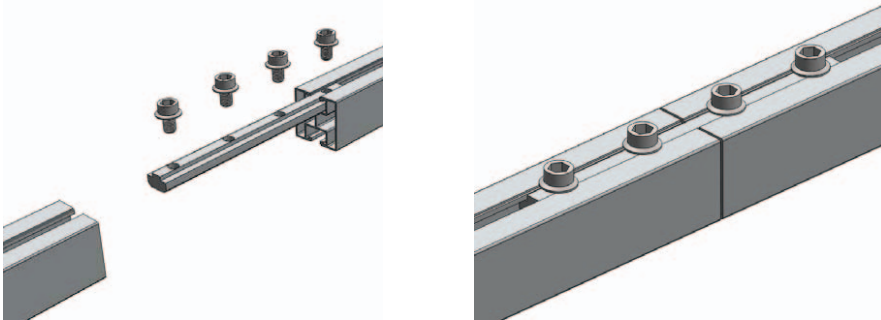
PV Pro Mounting Solution

On Roof Anti-Theft System



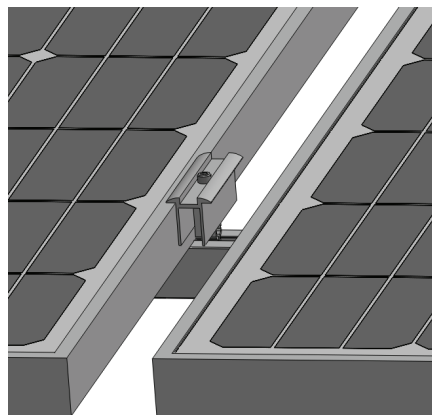
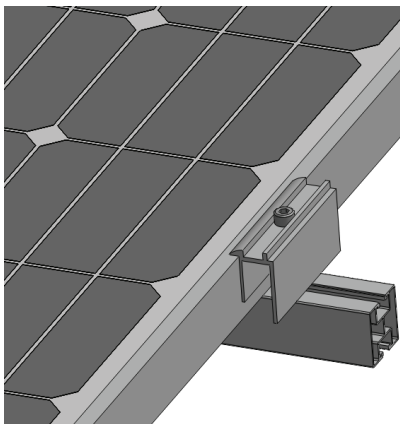
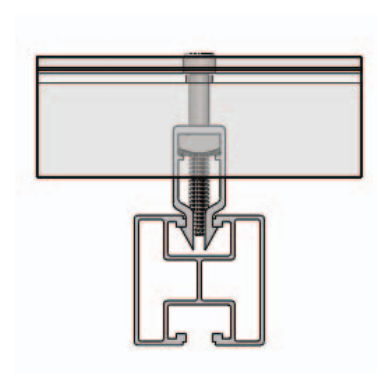
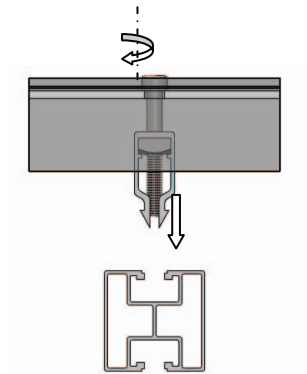
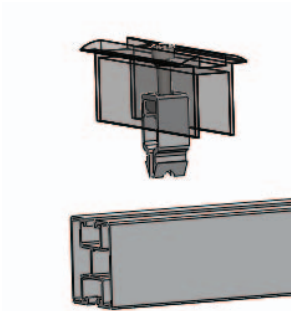
RAIL CONNECTOR FITTING

Use rail connector to join two rails

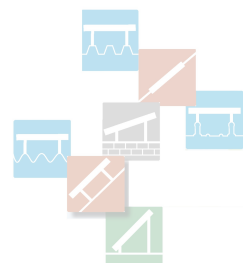


FITTING PV PANELS

Fit the pre-assembled middle clamps or end clamps on the rail, tighten the screw.



Safety. Reliability. Flexibility



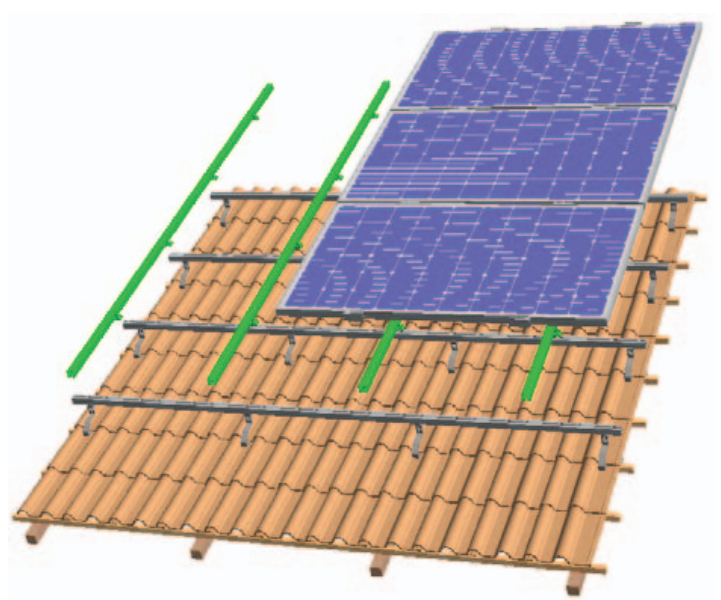
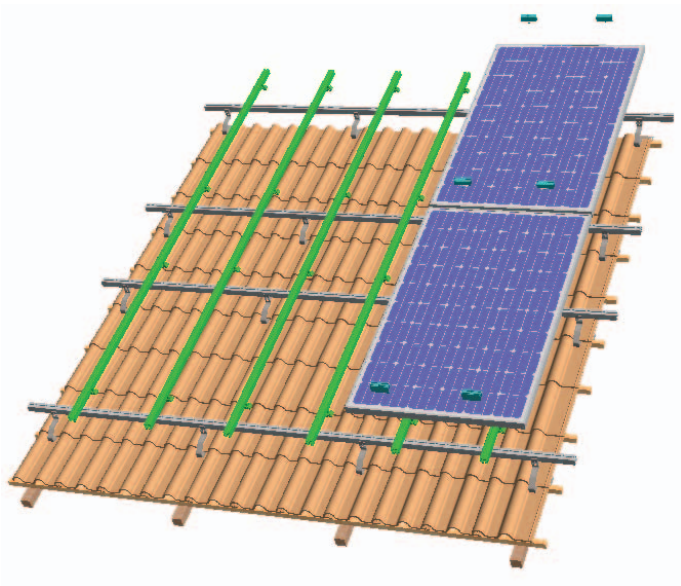
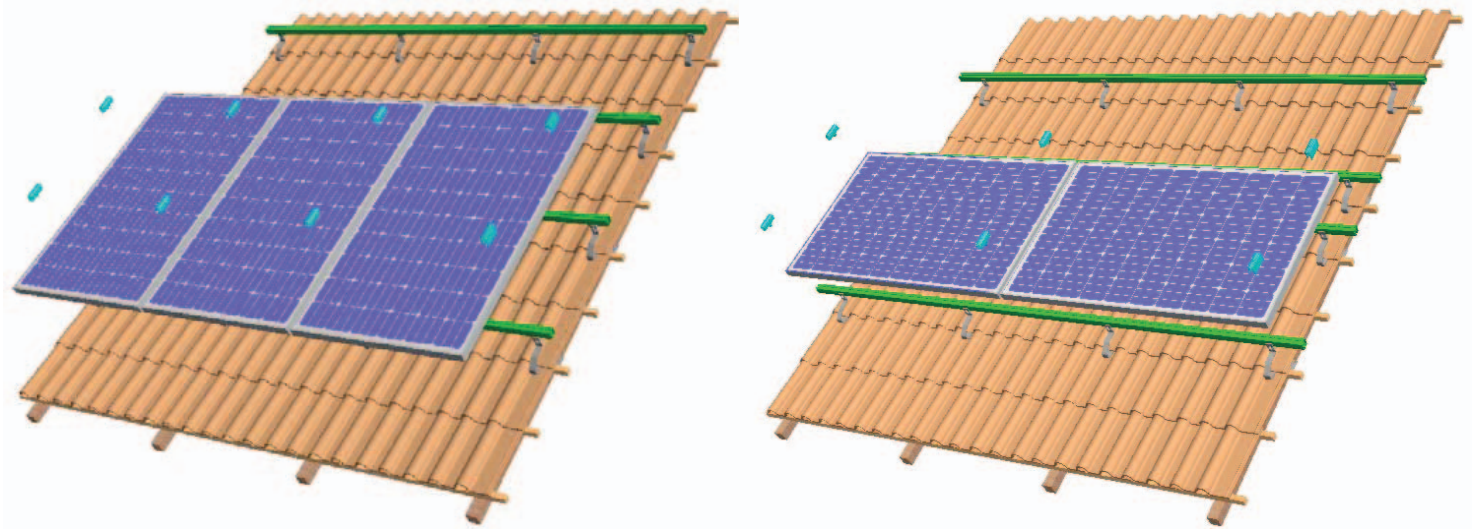
PV Pro Mounting Solution

On Roof Anti-Theft System



ROOF LAYOUT FOR PV PANELS

PV Panels can be arranged as following according to the requirement of customer and particular roof status.



Safety. Reliability. Flexibility

