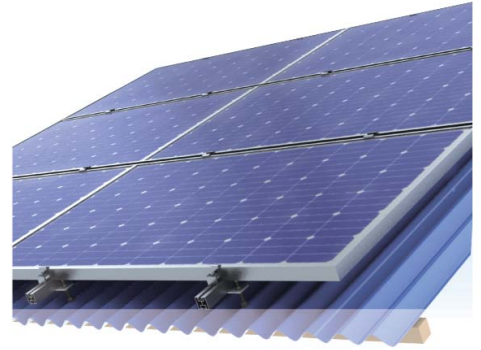


Caymax Mounting Solution

Corrugated Roof System

Features

- Universal mounting solution on corrugated roof
- Incredibly simple to use, save average 40% of installation time
- Unique Anti-Theft design
- Components are made of high quality aluminium and stainless steel
- Mechanical calculation and test to ensure maximum safety and durability
- 10 years product warranty (limited)



Feature

Fully PreAssembled Clamps

The End and Mid clamps are substantial fully preassembled parts which simply clip into the channel in the rail, and the motion of tightening the screw from the top also fully locks the clamp in place. These substantial Mid and End clamps are designed for use for both Portrait and Landscape installations with the rail installed Horizontally.

Feature

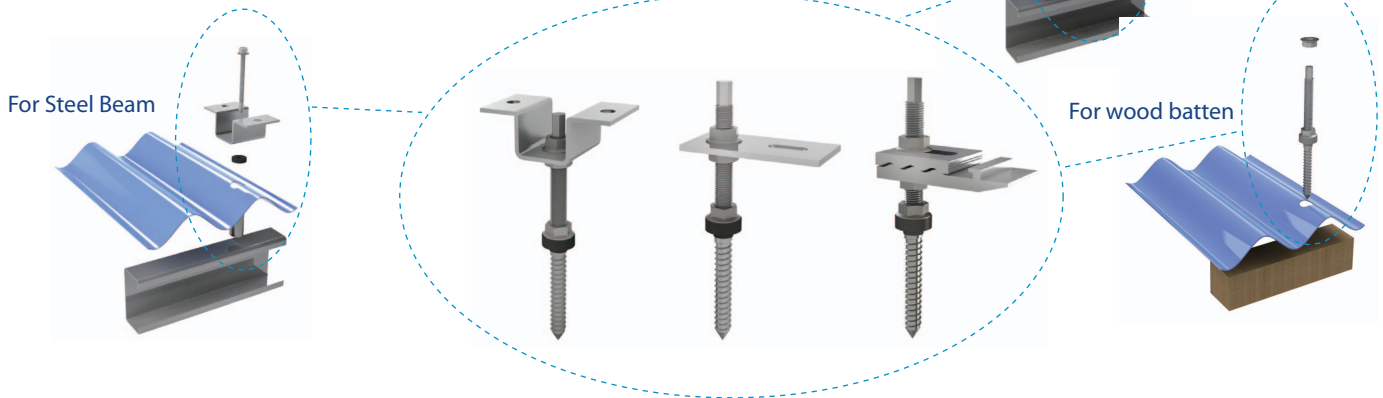
Patent universal quick fit system

All the hooks are supply with pre fixed attachments. These are a patented part of the roof mounting system. These are spring loaded units which clip into one or the grooves on the rails, and are simply tightened. This is a very quick and simple process with very easy access to the tightening screw.

Feature

On Roof Security

The Caymax on roof mounting system is uniquely designed to protect your investment. Just as a locking wheelnut on a car – the locking bolts for the system have a specially adapted fitting to add security to the panels wherever they may be installed.

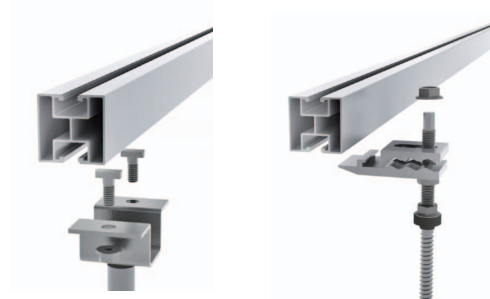


Rail Fitting Guide

Use T-Head Bolt to fix the rail to the supporting bracket. The wave-like rail clips facilitate the fixation of the rail.



Installation requires minimum use of simple tools, full components details and part number is available on request



Safety. Reliability. Flexibility

